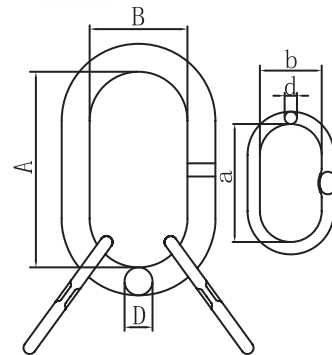


LEGEND Grade 100 Master Link Multi

Legend Grade 100 Multi Master Links are thoughtfully designed with a large ring and two intermediate links to accommodate the needs of two, three, and four leg chain sling or wire rope sling applications.

All Legend Grade 100 hooks and components feature clear distinguishing marks for easy identification.

- Surface Finish: Painted Blue
- 25% higher working load limit than G80
- Safety Factor: 4:1
- Complies to AS 3776
- Test Certificates available upon request.



Item Code:	Size	WLL	Dimensions						Weight	Pack Qty
			A	B	D	a	b	d		
	mm	T	mm	mm	mm	mm	mm	mm	kg	pc
L100-MLA-06	6	3	135	75	19	54	25	13	1.3	10
L100-MLA-08	8	5.3	160	90	23	70	34	16.5	2.33	8
L100-MLA-10	10	8	180	100	27	85	40	19	3.7	4
L100-MLA-13	13	14	200	110	33	115	50	23	6.5	2
L100-MLA-16	16	21.2	260	140	36	140	65	27	10.1	1
L100-MLA-20	20	33.6	350	190	50	180	90	33	22.8	1
L100-MLA-22	22	39.9	350	190	50	180	100	36	26	1

Specifications and dimensions are subject to change without notice.