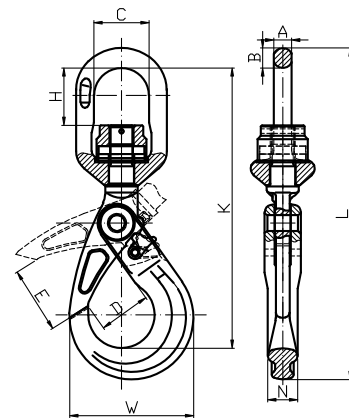


LEGEND Grade 100 Eye Swivel Self Locking Hook (Ball Bearing)

Legend Grade 100 Ball Bearing Eye Swivel Self Locking Hooks incorporate a ball bearing mechanism that enables the hook to rotate smoothly under load. These hooks are equipped with an automatic locking mechanism that securely closes and locks the hook, preventing it from opening while under load.

All Legend Grade 100 hooks and components feature clear distinguishing marks for easy identification.

- Surface Finish: Painted Blue
- 25% higher working load limit than G80
- Safety Factor: 4:1
- Complies to AS 3776
- Test Certificates available upon request.



Item Code:	Size	WLL	Dimensions										Weight	Pack Qty
			A	B	C	D	E	N	H	K	L	W		
	mm	T	mm	mm	mm	mm	mm	mm	mm	mm	mm	mm	kg	pc
L100-SSLHB-06	6	1.4	11.5	13	37	27	30	15	32	163	196.5	70	0.67	20
L100-SSLHB-08	8	2.5	13	15	41	35.5	40	20	39	202	243	90	1.21	12
L100-SSLHB-10	10	4	15.5	17.5	48	45	48	26	48	244	289	108	2.2	8
L100-SSLHB-13	13	6.7	17	19	55	52.5	63	32.5	57	292	351	138	4.4	6
L100-SSLHB-16	16	10	21.5	26	62	62	75	38	62	346	422	170	7.48	3
L100-SSLHB-20	20	16	26.5	28.5	76	76	80	50	72	396	487	191	13.75	2
L100-SSLHB-22	22	19	33	33	97	79	95	52	97	465	563	208	18.81	1

Specifications and dimensions are subject to change without notice.