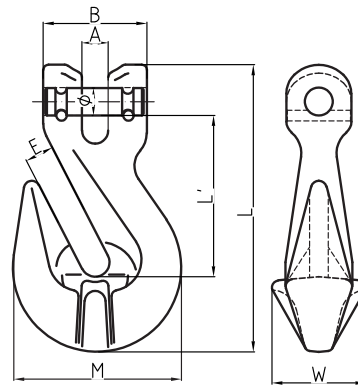


LEGEND Grade 100 Clevis Grab Hook

Legend Grade 100 Clevis Grab Hooks offers exceptional versatility, allowing for the convenient shortening of chain legs on slings and enabling back-hooking applications. Equipped with supporting lugs, these grab hooks maintain the full working load limit without any reduction. The clevis connection is designed for easy connection directly to the chain, eliminating the need for a connecting link.

All Legend Grade 100 hooks and components feature clear distinguishing marks for easy identification.

- Surface Finish: Painted Blue
- 25% higher working load limit than G80
- Safety Factor: 4:1
- Complies to AS 3776
- Test Certificates available upon request.



Item Code:	Size	WLL	Dimensions								Weight	Pack Qty
			A	B	E	M	W	L'	L	Ø		
	mm	T	mm	mm	mm	mm	mm	mm	mm	mm	kg	pc
L100-CGH-06	6	1.4	7.5	32	8	46.5	25.5	44.5	77.3	7.6	0.22	100
L100-CGH-08	8	2.5	9.5	36	11	54	33.5	53	93	9.8	0.34	60
L100-CGH-10	10	4	12.5	46	13.5	72	42	73	127	13	0.82	25
L100-CGH-13	13	6.7	15	59	15	96	53.5	92	164	15.8	1.75	12
L100-CGH-16	16	10	18.5	70	19	115	74	103	188	19.5	2.88	6
L100-CGH-20	20	16	24	85	25	145	87	123	223	24	4.84	4
L100-CGH-22	22	19	27	100	27	159	90	141	260	28	8.3	2

Specifications and dimensions are subject to change without notice.